

AIoT Platform for Data Acquisition and Control Systems

Features

- Edge device equipped with NVIDIA® Jetson Xavier NX™ module
- Weather sensors support real time monitor of multiple outdoor air quality indicator
- Supports WIFI/4G/5G connectivity
- Integrates with 4x IP Bullet cameras
- Suitable for Smart City and Autonomous Infrastructure



PREFERRED PARTNER



Specifications



General	BSP	Jetpack 4.6
	Power input	110V AC input with Terminal block
	Certification	CE, FCC
Environment	Operating Temp	-20°C ~+55°C
	Storage Temp	-40°C ~+85°C
	Storage Humidity	95% @ 40 °C (non-condensing)
Mechanical	Dimension	522 x 403 x 317 mm (L x W x H)
	Weight	20.5kg
	Installation	Stainless Steel Cable Ties/ Hanging type

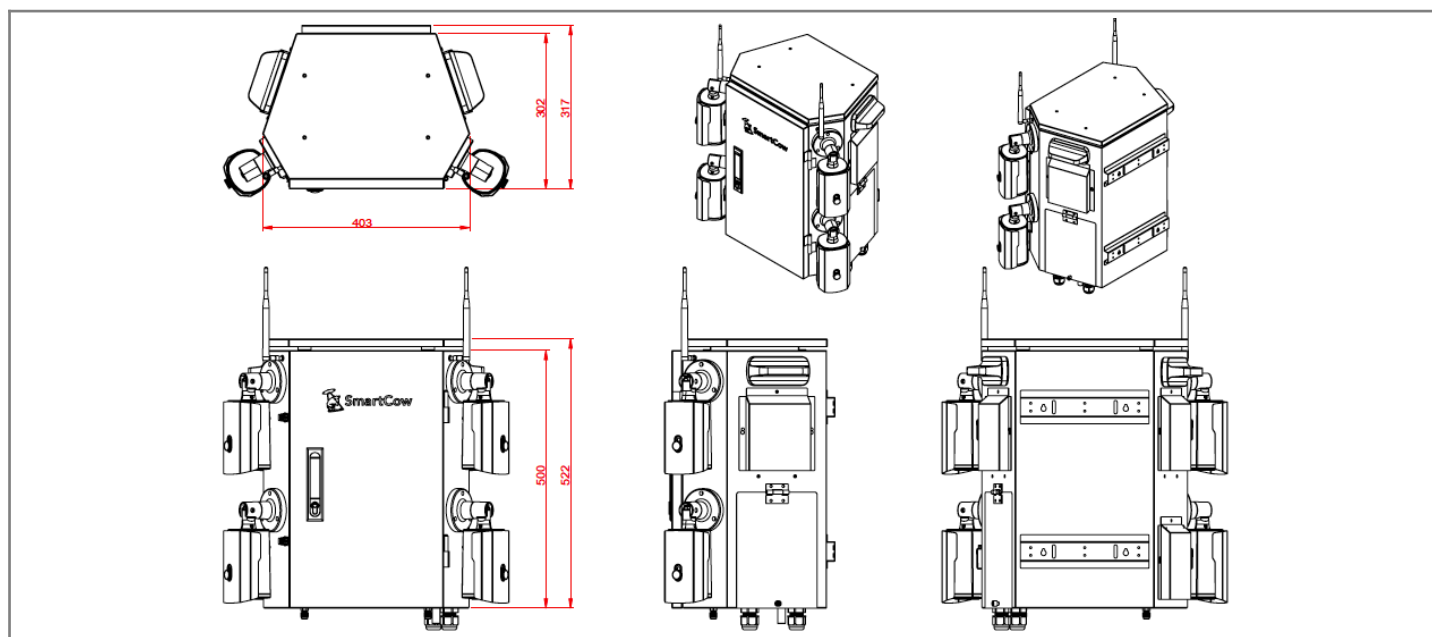
IP Bullet Camera:

Camera	
Sensor	5MP Progressive scan 1/2.8" CMOS Sensor
Lens	Motorized Lens 2.7-13.5mm F1.4
Field of view (FOV)	D:142°~39°, H:106°~32°, V:73°~23°
Number of Effective Pixel (H*V)	2608x1960
Minimum Illumination	0.07Lux (F1.6, AGC max.), 0 Lux (IR On)
Horizontal Resolution	1600TVL
Day and Night	IR-Cut Filter Removable (ICR)
Dynamic Range	120db@32xGain
SNR	>50dB
Shutter Speed	1/7.5 sec. ~ 1/100000 sec.
IR Illuminators	
Wavelength Range	850nm
Distance	165ft / 50m
Audio	
Audio Capability	Audio in . Audio out
Compression	AMR, G.711 @64kbps, G.726 @32kbps / Configure bit rate

Weather Sensors:

Measurement Index	Temperature	Humidity	PM2.5	PM10	CO
Operating range	-40~125 °C	0~100% RH	0~1000 µg/m3	0~1000 µg/m3	0~1,000 ppm
Resolution	0.1 °C	1%RH	1 µg/m3	1 µg/m3	0.1 ppm
Operating Principle	CMOSens	CMOSens	Optics	Optics	Electrochemistry
Response time	30 sec	30 sec	10 sec	10 sec	60 sec
Warmup time	60 sec	60 sec	300 sec	300 sec	60 sec
Sampling method	Real time				

Mechanical



Ordering Information

Part Number	Description
CTST-ZS1VB1222	System with Xavier NX 8G and integrates with 4x IP cams, 5G connectivity, weather sensors
CTST-ZS1VB1122	System with Xavier NX 8G and integrates with 4x IP cams, 4G connectivity, weather sensors

Packing List

Item	Description	Qty
CTST-ZS1	System with NVIDIA Jetson module, IP cams, WWAN and weather sensors	1
Antenna	4G OR 5G Antenna	2
Cable Tie	Stainless Steel Cable Ties for Installation	2

To learn more about this solution, visit:

www.pny.eu

© 2022 SmartCow. all rights reserved. features and specifications subject to change without notice.
 © 2022 PNY TECHNOLOGIES, inc. all rights reserved. the PNY logo is a registered trademark of PNY Technologies, inc. all other trademarks are the property of their respective owners.

PNY®

PNY Technologies Europe
 9 rue Joseph Cugnot, 33708 Mérignac cedex | France
 T +33 (0) 5 56 13 75 75 | pnypro@pny.eu

For More Information Visit: www.pny.eu