

SMARTCAM XAVIER NX



Contact us:

www.smartcow.ai

sales@smartcow.ai

DESCRIPTION

SmartCam Nano has the performance to handle object detection, sensor fusion, traffic analysis, and algorithms critical to next-generation workloads. Get GPU workstation performance with up to 21 TOPs of peak compute. SmartCam is supported by a SmartCow IVA stack, it allows efficient video processing as well as allows developers to perform seamless sensor fusion.

Sensor fusion is the process of combining data from multiple sensors into information that is more accurate, complete, and dependable than each of the individual contributing sensors' data. The camera has analog and serial input with isolated protection.

SmartCam, internally reduces damaging heat buildup by transferring heat away from sensitive cameras and other components. SuperCam actively cools while still being an air and water-tight protective housing. It is designed for the world's toughest and hottest climates and is available with a stainless steel arm.

FEATURED SPECS

Impact Resistant Aluminium

IP66 rated - ensures protection against dust ingress as well as high pressure water jets from any direction.

Extreme heat protection as high as 185° F (85° C)

5MP - FOV 140.5°

384-Core NVIDIA Volta™ GPU

128GB SATA Storage

SMARTCAM XAVIER NX

SPECIFICATIONS SHEET



SmartCow

PROCESSOR	
GPU	384-core NVIDIA Volta™ GPU with 48
CPU	6-core NVIDIA Carmel ARM®v8.2 64-bit CPU 6MB L2 + 4MB L3
Memory	8 GB 128-bit LPDDR4x 51.2GB/s

IMAGE SENSOR SPECIFICATIONS	
Sensor	AR0521 from ON Semiconductor
Focus Type	Fixed focus
Resolution	5MP
Sensor Type	5MP CMOS Electronic Rolling Shutter Sensor with Bayer RGB Color Filter Array
Pixel Size	2.2 μm x2.2 μm
Sensor Active Area	2592H x 1944V
Responsivity	18.8 Ke-/luxsec
SNR	40dB
Dynamic Range	74.3dB
Shutter Type	Electronic Rolling Shutter
ISP	On-board high performance ISP
DFOV	5MP - 140.5°

NETWORK	
Protocols	IPv4, IPv6, TCP, UDP, ARP, HTTP, HTTPS, DNS, RTP/RTCP, RTSP
ONVIF Profile	S
Ethernet	1 GbE / 4G on Request

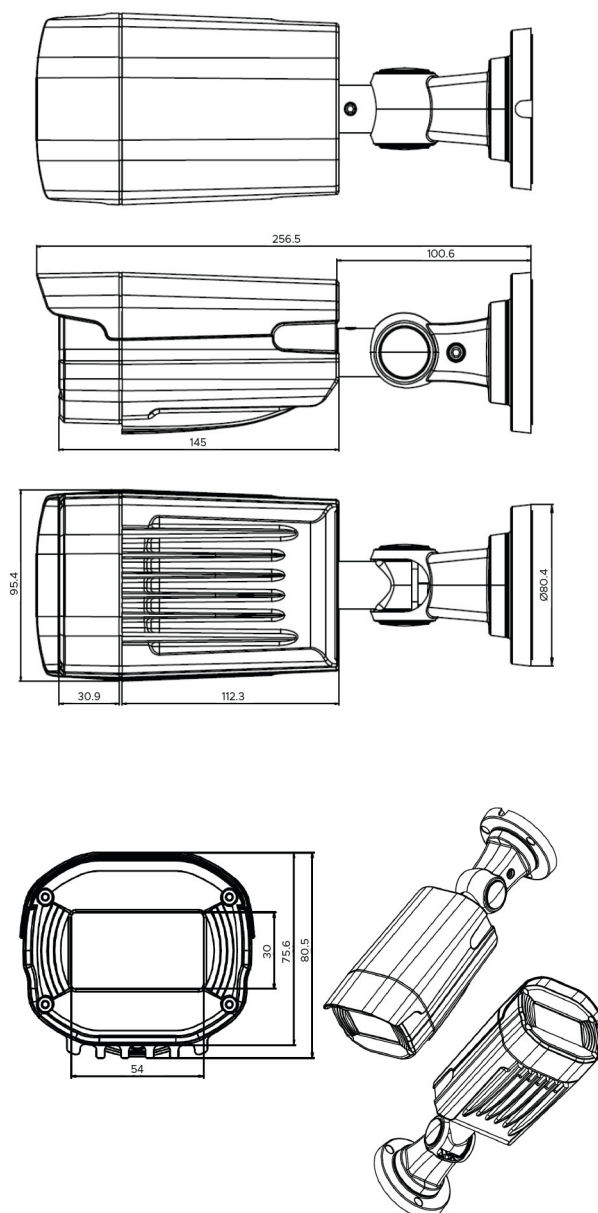
STORAGE	
mSATA	128GB

POWER	
Power Over Ethernet (POE)	802.3at Type 2 "PoE+"

THERMALS	
Operation Temperature	- 40 ~ + 85 ☒
Operation Humidity	10% ~90%

CERTIFICATIONS	CE /FCC/RoHS/ NEMA
INGRESS PROTECTION	IP66

DIMENSIONS



For more information visit: www.pny.eu



PNY Technologies Europe
9 rue Joseph Cugnot, 33708 Mérignac cedex | France
T +33 (0) 5 56 13 75 75 | pnypro@pny.eu