

# SuperCam

PNY®



## Edge AI Camera

Preliminary



### Features

- Powered by NVIDIA® Jetson AGX Orin™
- Dual Cameras:
  - AR0234:2.3Mp Global shutter
  - AR0822:4K Rolling shutter
- M.2 NVMe SSD 128G, up to 2TB
- ONVIF Compliant
- IP65-rated

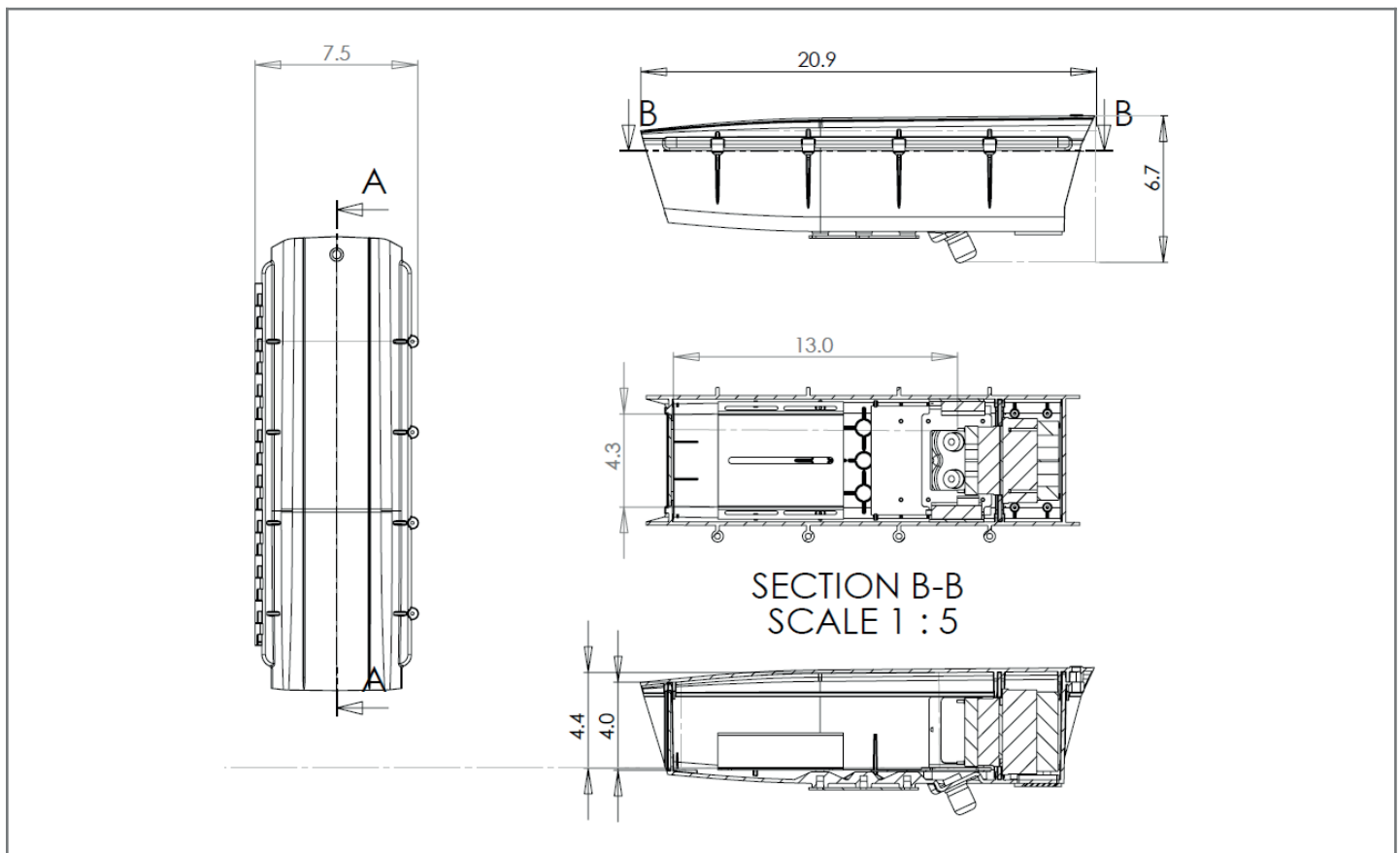
### Specifications

NVIDIA Jetson AGX Orin	AGX Orin 32GB	CPU	8-core NVIDIA Arm® Cortex A78AE v8.2 64-bit CPU 2MB L2 + 4MB L3
		GPU	1792-core NVIDIA Ampere GPU with 56 Tensor Cores
		Memory	32 GB 256-bit LPDDR5 204.8 GB/s
		Storage	64 GB eMMC 5.1
	AGX Orin 64GB	CPU	12-core NVIDIA Arm® Cortex A78AE v8.2 64-bit CPU 3MB L2 + 6MB L3
		GPU	2048-core NVIDIA Ampere GPU with 64 Tensor Cores
		Memory	64 GB 256-bit LPDDR5 204.8 GB/s
		Storage	64 GB eMMC 5.1
General	BSP	Jetpack 5.0.2	
	Power Input	24V DC input with M12 Power Connector	
	Certification	CE, FCC	
Environment	Operating Temp	-20°C ~+60°C	
	Storage Temp	-40°C ~+85°C	
	Storage Humidity	95% @ 40 °C (non-condensing)	
Mechanical	Dimension	209 x 75 x 67 mm (L x W x H)	
	Weight	9.1 kg	
	Installation	Wall Mount	

## Camera

Specification		AR0234	AR0822
Video	Max. Image Resolution	1920H x 1200V	3840H x 2160V
	Video Stream Codec	H.264 / H.265 supported	H.264 / H.265 supported
	Bit Rate Control	CBR / VBR	CBR / VBR
Camera	Image Sensor	ON Semiconductor	ON Semiconductor
	WDR	Digital WDR	Digital WDR
	Day/Night Mode	Day/Night/Auto	Day mode
Lens	Focal Length	3~13.5mm, 4.5X optical zoom	4.05mm
	Field of View	Wide: 128.1°×V103.1°/ Tele:H39.9°×V33.8°	130°(D) X 112°(H) X 62°(V)
	Focus Control	Oneshot auto focus/ Manual focus	Fixed M12 Lens
	Aperture	F1.4~F3.3	F1.8
	Iris Control	Auto	Fixed3
Network	Ethernet	1x 10GBE through RJ45 connector	1x 10GBE through RJ45 connector
	ONVIF	Profile S	Profile S
	Protocol	IPv4, IPv6, TCP, UDP, ARP, HTTP, HTTPS, DNS, RTP/RTCP, RTSP	IPv4, IPv6, TCP, UDP, ARP, HTTP, HTTPS, DNS, RTP/RTCP, RTSP

## Mechanical



## Ordering Information

Part Number	Description
SPCM-NS1	32G/ 64G AGX Orin w/fan, A0234+AR0822, M.2 128G NVMe SSD, 240W Power adapter, IP65, -20~60°C

## Packing List

Item	Description	Quantity
SPCM-NS1	AI Camera with NVIDIA Jetson Module	1
Power Adapter	DC 240W 24V	1

## Accessories List

Part number	Description
61-ULT00001RQU	M.2 B-key 3052 5G module: QUECTEL RM502Q-AE
61-UWF000000IT	M.2 E-key 2230 WIFI module: Intel® Wireless-AC 9260, Wi-Fi 5 (802.11ac), BT5.1